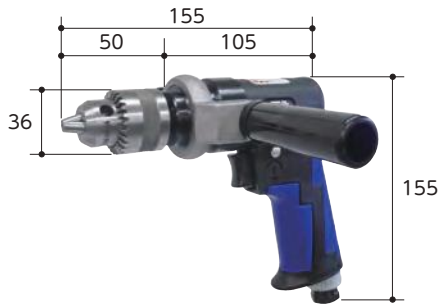


REVERSIBLE DRILL

Drill Chuck 10mm(3/8") [COMPOSITE]

- Low speed and high torque. ● Short ! Double gear mechanism. ● Lightweight composite body.
- Variable speed trigger. ● On hand reverse button. ● With handle grip. ● For spot weld removal.

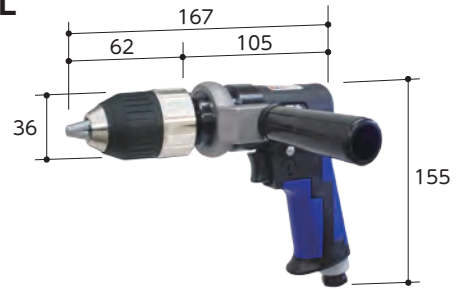
SP-7520



Drill Chuck 10mm(3/8") [KEYLESS CHUCK]

- Keyless chuck. ● Low speed and high torque. ● Short ! Double gear mechanism. ● Lightweight composite body.
- Variable speed trigger. ● On hand reverse button. ● With handle grip. ● For spot weld removal.

SP-7520KL



Drill Chuck 10mm(3/8") [COMPOSITE]

- Lightweight composite body. ● Variable speed trigger. ● On hand reverse button. ● With handle grip.

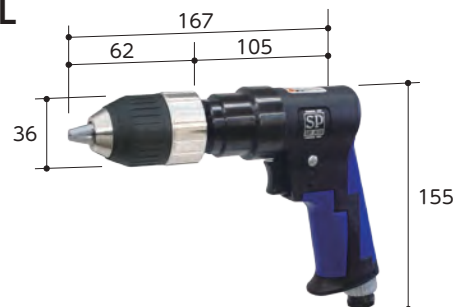
SP-7525



Drill Chuck 10mm(3/8") [KEYLESS CHUCK]

- Keyless chuck. ● Lightweight composite body. ● Variable speed trigger. ● On hand reverse button. ● With handle grip.

SP-7525KL



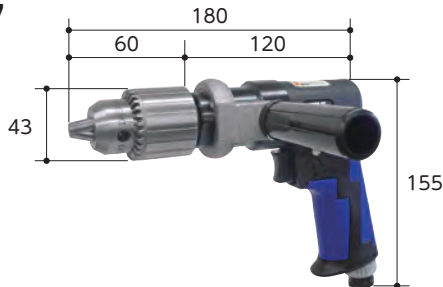
Option

- Keyless drill chuck : Model No.SP-DCKL

Drill Chuck 13mm(1/2") [COMPOSITE]

- Low speed and high torque. ● Short ! Double gear mechanism. ● Lightweight composite body.
- Variable speed trigger. ● On hand reverse button. ● With handle grip.

SP-7527



Drill Chuck 13mm(1/2") [KEYLESS CHUCK]

- Keyless chuck. ● Low speed and high torque. ● Short ! Double gear mechanism. ● Lightweight composite body.
- Variable speed trigger. ● On hand reverse button. ● With handle grip.

SP-7527KL



Drill Chuck 10mm(3/8")

- Precision drill chuck. ● Right/Left rotation switch Lever with One Hand. ● Also for tapping work

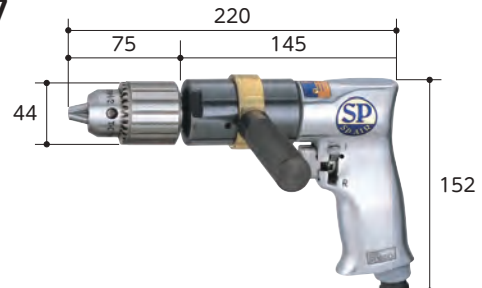
SP-1525



Drill Chuck 13mm(1/2")

- Low speed rotation and high torque. ● Precision drill chuck. ● Right/Left rotation switch Lever. ● With handle grip

SP-1527



Option

- SP-DCKL Keyless drill chuck

EDP	Model No.	Drill Range (mm)	Free Speed (min ⁻¹)	Overall Length (mm)	Air Consumption (ml/min)	Hose Coupling	Net Weight (kg)	JAN (4545695)
370068	SP-7520	1.0~10	500	155	0.4	1/4"NPT	1.04	001704
370178	SP-7520KL	1.0~10	500	167	0.4	1/4"NPT	1.04	001773
370070	SP-7525	1.0~10	2000	155	0.4	1/4"NPT	0.95	001711
370179	SP-7525KL	1.0~10	2000	167	0.4	1/4"NPT	0.95	001780
370066	SP-7527	1.0~13	400	180	0.4	1/4"NPT	1.33	001728
370180	SP-7527KL	1.0~13	400	192	0.4	1/4"NPT	1.33	001797
370075	SP-1525	1.0~10	2200	195	0.4	1/4"NPT	1.23	000400
370076	SP-1527	1.0~13	500	220	0.4	1/4"NPT	2.9	000417

Air pressure: 0.62 MPa Air hose inner dia.: 9.5 mm Rear exhaust Air connector included

ANGLE REVERSIBLE DRILL

Drill Chuck **10mm(3/8")**

[LOW PROFILE]

- Low profile head for narrow space. ● Lever type ● Reverse button. ● Also for tapping work.

SP-1514AH



Drill Chuck **13mm(1/2")**

- Low speed rotation and high torque. ● Lever type ● Reverse button.

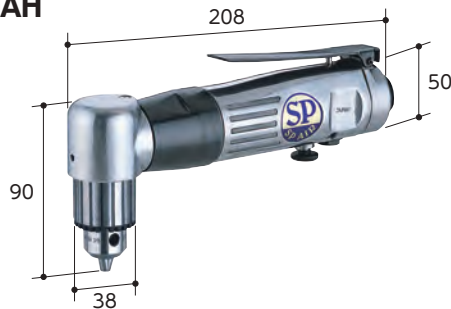
SP-1513AH



Drill Chuck **10mm(3/8")**

- Lever type ● Reverse button. ● Also for tapping work

SP-1510AH



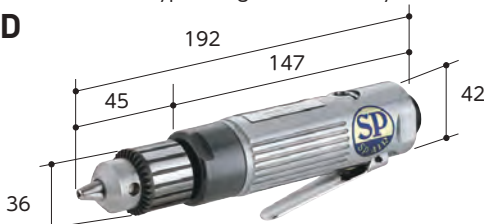
DRILL

Drill Chuck **10mm(3/8")**

[STRAIGHT TYPE]

- Precision drill chuck. ● Lever type. ● Right rotation only.

SP-1523D



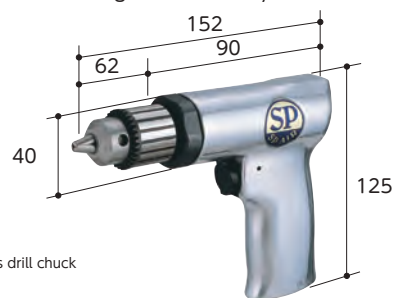
Option

- #SP-DCKL Keyless drill chuck

Drill Chuck **10mm(3/8")**

- Precision drill chuck. ● Right rotation only.

SP-1511



Option

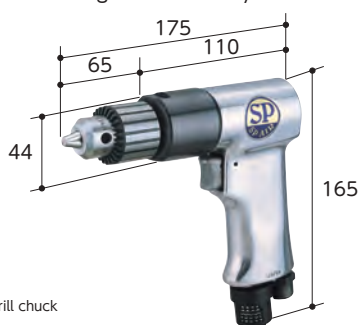
- #SP-DCKL Keyless drill chuck

Drill Chuck **10mm(3/8")**

[W/ SILENCER]

- Precision drill chuck. ● Right rotation only. ● With silencer.

SP-1522



Option

- #SP-DCKL Keyless drill chuck

Drill Chuck **10mm(3/8")**

[W/ SPEED SWITCH]

- Four adjustable speeds (1) Spot weld removal, (2) Dia. 8-10 mm, (3) (4) Dia. 1-8 mm, ● Large trigger for easy operation. ● Right rotation only.

SP-1540



Option

- #SP-DCKL Keyless drill chuck

EDP	Model No.	Drill Range (mm)	Free Speed (min ⁻¹)	Overall Length (mm)	Air Consumption (ml/min)	Hose Coupling	Net Weight (kg)	JAN (4545695)
370074	SP-1514AH	1.0~10	1700	202	0.4	1/4"NPT	1.13	003067
370073	SP-1513AH	1.0~13	220	222	0.3	1/4"NPT	1.53	002183
370071	SP-1510AH	1.0~10	1800	208	0.3	1/4"NPT	1.22	000363
370077	SP-1523D	1.0~10	3800	192	0.4	1/4"NPT	1	000394
370064	SP-1511	1.0~10	2500	152	0.4	1/4"NPT	0.9	000370
370065	SP-1522	1.0~10	2500	175	0.4	1/4"NPT	1.23	000387
370072	SP-1540	1.0~10	3000	180	0.4	1/4"NPT	0.98	000424

Air pressure: 0.62 MPa Air hose inner dia.: 9.5 mm Rear exhaust Air connector included