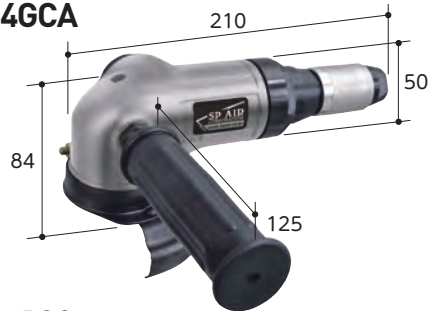


ANGLE GRINDER

Disc Size 50mm/2" [ROTARY GRIP]
 ● Mini type. ● Throttle switch for continuous operation. ● For small workpieces in tight spaces.
SP-6252GCA



Disc Size 100mm/4" [ROTARY GRIP]
 ● Built-in governor mechanism. ● Throttle switch for continuous operation. ● With handle grip
SP-6254GCA



Disc Size 100mm/4" [LEVER TYPE]
 ● Built-in governor mechanism. ● Safety lever. ● With handle grip
SP-1254



Disc Size 100mm/4" [ROTARY GRIP]
 ● Built-in governor mechanism. ● Throttle switch for continuous operation. ● With handle grip
SP-1254G



Disc Size 180mm/7" [ROTARY GRIP]
 ● Built-in governor mechanism. ● Throttle switch for continuous operation. ● With handle grip. ● 360 degree rotating rear exhaust.
SP-1261G



Disc Size 180mm/7" [LEVER TYPE]
 ● Built-in governor mechanism. ● Safety lever. ● With handle grip
SP-1261L14



LONG DISC GRINDER

Disc Size 100mm/4" [LEVER TYPE]
 ● Long shaft - Easy to hold. ● Stopper pin for fixing the rotating shaft
 ● Urethane covered cushion grip. ● Safety lever. ● Built-in power regulator.
 ● 360 degree rotating rear exhaust.
SP-7234B



EDP	Model No.	Thread (mm)	Install method	Free Speed (min ⁻¹)	Overall Length (mm)	Air Consumption (m ³ /min)	Hose Coupling	Net Weight (kg)	Accessories	JAN (4545695)
370139	SP-6252GCA	-	FrangBolt M5	15000	157	0.4	1/4"NPT	0.62	Spanner (H19mm), Allen key (H3mm, H5mm)	003043
370145	SP-6254GCA	-	FrangBolt M5	13500	210	0.55	3/8"NPT	1.8	Spanner (H19mm), Allen key (H3mm, H5mm)	003258
370144	SP-1254	M10×1.5	Disc Nut	12000	235	0.6	1/4"NPT	1.7	Spanner (H10mm), Pin Spanner	000875
370142	SP-1254G	M10×1.5	Disc Nut	12000	235	0.6	1/4"NPT	1.7	Spanner (H10mm), Pin Spanner	000882
370141	SP-1261G	M16×2	Disc Nut	7500	270	0.8	3/8"NPT	3.8	Spanner (H17mm), Pin Spanner	000929
370177	SP-1261L14	M14×2	Disc Nut	7500	320	0.8	3/8"NPT	3.8	Spanner (H17mm), Pin Spanner	003883
370140	SP-7234B	M10×1.5	Disc Nut	14000	350	0.9	1/4"NPT	1.33	Disc Spanner, Allen key (H4mm)	003388

Air pressure: 0.62 MPa Air hose inner dia.: 9.5mm Grip side exhaust (SP-6252GCA, SP-6254GCA, SP-1261G), Grip bottom exhaust (SP-1254, SP-1254G), Rear exhaust (SP-7234B) Air connector included