

# BEVELER



## MINI BEVELER

FASTENING

DRILLING

SANDING

GRINDING

CUTTING

HAMMERING

BEVELER

### 1.5R/1.5C

● Palm size ● Air cooling system (Patented). ● Triangular cutting tip for 3 times use. ● Easy to adjust cutting depth with graduated flange.

#### SP-7252F



- Replacement parts**
- 252-C1.5 Cutting blades for straight chamfer (up to 1.5 mm)
  - 252-R1.5 Cutting blades for radius chamfer (up to 1.5 mm)
  - 330860 Guide roller

#### SP-7252F-2



- Replacement parts**
- 252-C1.5 Cutting blades for straight chamfer (up to 2 mm)
  - 252-R2 Cutting blades for radius chamfer (up to 2 mm)
  - 330860 Guide roller

### 1.5R/2R

● Palm size ● Air cooling system (Patented). ● Triangular cutting tip for 3 times use. ● Easy to adjust cutting depth with graduated flange.

#### SP-7252FR



- Replacement parts**
- 252-C1.5 Cutting blades for straight chamfer (up to 1.5 mm)
  - 252-R1.5 Cutting blades for radius chamfer (up to 1.5 mm)
  - 330860 Guide roller

#### SP-7252FR-2



- Replacement parts**
- 252-C1.5 Cutting blades for straight chamfer (up to 2 mm)
  - 252-R2 Cutting blades for radius chamfer (up to 2 mm)
  - 330860 Guide roller

EDP	Model No.	Capacity (mm)	Min. Diameter (mm)	Min. Thickness (mm)	Min. Depth (mm)	Free Speed (min <sup>-1</sup> )	Overall Length (mm)	Air Consumption (m <sup>3</sup> /min)	Hose Coupling	Net Weight (kg)	Accessories	JAN (4545695)
370146	SP-7252F	~C1.5	6.8	2.5	7.5	23000	112	0.2	1/4"NPT	0.4	Cutter (252-C1.5)x3, Torx Wrench (T8), Allen key (H2mm), Spanner (H4mm)	002589
370152	SP-7252F-2	C0.5~2	6.8	2.5	7.5	23000	112	0.2	1/4"NPT	0.4	Cutter (252-C1.5)x3, Torx Wrench (T8), Allen key (H2mm), Spanner (H4mm)	003623
370148	SP-7252FR	~R1.5	6.8	2.5	7.5	23000	112	0.2	1/4"NPT	0.4	Cutter (252-R1.5)x3, Torx Wrench (T8), Allen key (H2mm), Spanner (H4mm)	002596
370151	SP-7252FR-2	~R2	6.8	2.5	7.5	23000	112	0.2	1/4"NPT	0.4	Cutter (252-R2)x3, Torx Wrench (T8), Allen key (H2mm), Spanner (H4mm)	003630

Air pressure: 0.62 MPa Air hose inner dia.: 9.5 mm Front exhaust Air connector included

## 10 PC. CUTTER SET FOR BEVELER

### 252-C1.5

### 252-R1.5

### 252-R2



EDP	Model No.	SPECIFICATION	EDGES	MATERIAL	GUIDE ROLLER	APPLICABLE MODELS	JAN (4545695)
370311	252-C1.5	Positive cutter for Straight chamfer 1.5 mm	3	Cermet	330860	7252F, 7252F-2, 7252FR	600662
370312	252-R1.5	Positive cutter for Radius chamfer 1.5 mm	3	Cermet	330860	7252F, 7252F-2, 7252FR	600679
370313	252-R2	Positive cutter for Radius chamfer 2 mm	3	Cermet	330860	7252F-2, 7252FR-2	600921

**ONE POINT**

**SP-7252 SERIES**

**Palm size**

Compact length 110mm and lightweight 380g only.  
Composite body prevents from getting your hands cold

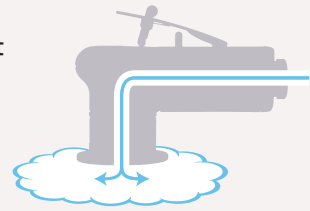
⚠Caution: Chips may scatter.  
Always wear protective gloves.



**Air cooling system (Patented)**

Cooling the grinding surface to prevent sticky chips.  
Blowing dusts away for efficient work.

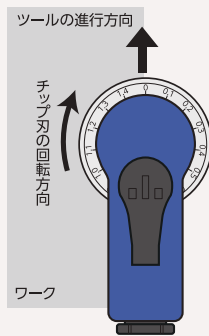
⚠Caution: Chips may scatter.  
Always wear protective glasses.



**How to operate**

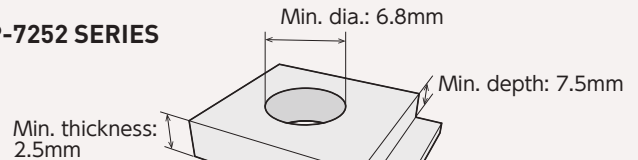
1. The tools should be operated to the same direction as the cutter is turning.
2. Make sure that the tool is operating first and slowly put it against the work piece.

⚠Caution: Putting the tool against the work piece prior to starting operation causes the damage to the cutters and injuries to the user.



**Chamferable material method**

**SP-7252 SERIES**

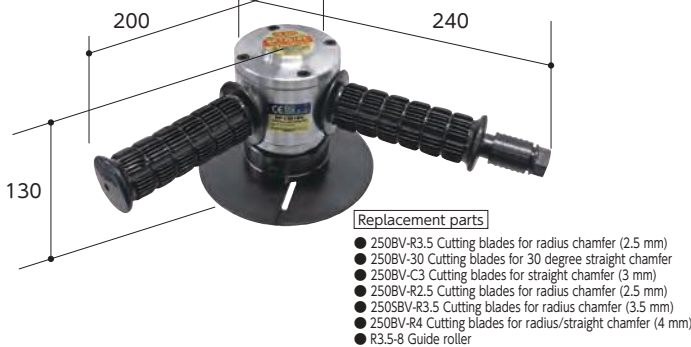


**BEVELER**

**3.5R/2.5R/3C**

●PSPC Standard compliant. ●Easy-to-use 120 degree vertical handle. ●Throttle switch for continuous operation. ●Adjustable flange height for different chamfering sizes.

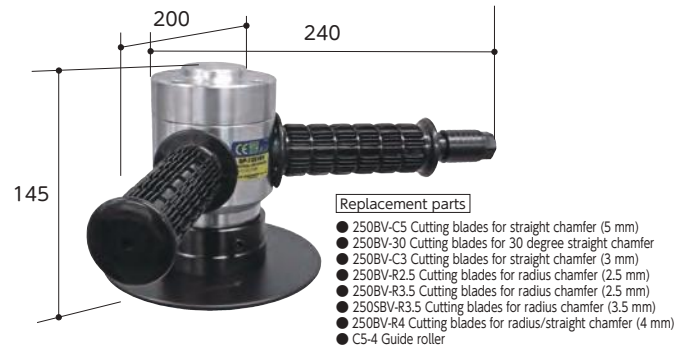
**SP-1251BV**



**C 5C**

●PSPC Standard compliant. ●High power type. ●Easy-to-use 120 degree vertical handle. ●Throttle switch for continuous operation. ●Adjustable flange height for different chamfering sizes.

**SP-1251HBV**



**3.5R**

●PSPC Standard compliant. ●Easy-to-use 120 degree vertical handle. ●Throttle switch for continuous operation. ●Adjustable flange height for different chamfering sizes.

**SP-1251NBV**



**3.5R/2.5R/3C**

●Air cooling system (Patented). ●Throttle switch for continuous operation. ●Adjustable flange height for different chamfering sizes. ●Grip can be changed to left or right side.

**SP-1250FBV**



EDP	Model No.	Capacity (mm)	Min. Diameter (mm)	Min. Thickness (mm)	Min. Depth (mm)	Free Speed (min <sup>-1</sup> )	Overall Length (mm)	Air Consumption (m <sup>3</sup> /min)	Hose Coupling	Net Weight (kg)	Accessories	JAN (4545695)
370149	SP-1251BV	R3.5	35	6	11	7500	340	0.9	1/4" NPT	2.8	Cutter [250-R3.5]x3, Torx Wrench (T20), Allen key (H3mm, H4mm), Holder Stopper	002336
370154	SP-1251HBV	C5	35	6	11	5000	340	1.1	1/4" NPT	3.2	Cutter [250-C5]x3, Torx Wrench (T20), Allen key (H3mm, H4mm), Holder Stopper	002862
370147	SP-1251NBV	R3.5	35	6	11	7500	340	0.9	1/4" NPT	2.8	Cutter [250NBV-R3.5]x3, Torx Wrench (T20), Allen key (H3mm, H4mm), Holder Stopper	002466
370174	SP-1250FBV	R3.5	35	6	11	9000	280	0.6	1/4" NPT	3.2	Cutter [250-R3.5]x3, Torx Wrench (T20), Allen key (H3mm, H4mm), Holder Stopper	003845

Air pressure: 0.62 MPa Air hose inner dia.: 9.5 mm Rear exhaust Air connector included

FASTENING

DRILLING

SANDING

GRINDING

CUTTING

HAMMERING

BEVELER

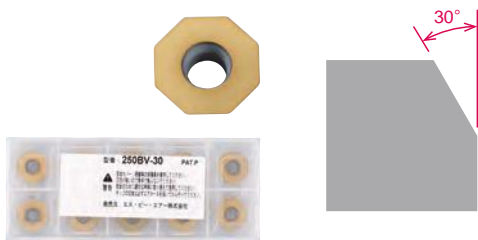
# BEVELER



## 10 PC. CUTTER SET FOR BEVELER

FASTENING

### 250BV-30



### 250BV-C3



DRILLING

### 250BV-C5



### 250BV-C10



SANDING

### 250BV-R2.5

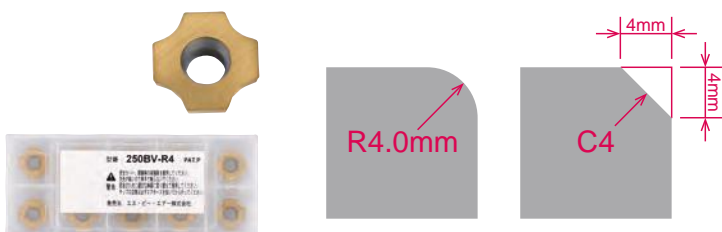


### 250BV-R3.5



GRINDING

### 250BV-R4



### 250NBV-R3.5



CUTTING

### 250SBV-C5



### 250SBV-R3.5



HAMMERING

EDP	Model No.	SPECIFICATION	EDGES	MATERIAL	GUIDE ROLLER	APPLICABLE MODELS	JAN (4545695)
370301	<b>250BV-30</b>	Positive cutter for Straight chamfer 30 degree	8	Carbide(TN coating)	30D-8	1251BV, 1251HBV, 9250BV	600730
370303	<b>250BV-C3</b>	Positive cutter for Straight chamfer 3 mm	8	Carbide(TN coating)	C3-8	1251BV, 1251HBV, 9250BV	600723
370304	<b>250BV-C5</b>	Positive cutter for Straight chamfer 5 mm	4	Carbide(TN coating)	C5-4	9250BV, 1251HBV	600624
370302	<b>250BV-C10</b>	Positive cutter for Straight chamfer 10 mm	3	Carbide(TN coating)	C10-3	9251EBV	600990
370305	<b>250BV-R2.5</b>	Positive cutter for Radius chamfer 2.5 mm	8	Carbide(TN coating)	R2.5-8	1251BV, 1251HBV, 9250BV	600563
370306	<b>250BV-R3.5</b>	Positive cutter for Radius chamfer 3.5 mm	8	Carbide(TN coating)	R3.5-8	1251BV, 1251HBV, 9250BV	600594
370307	<b>250BV-R4</b>	Positive cutter for Straight/Radius chamfer 4 mm	8	Carbide(TN coating)	R4-4	1251BV, 1251HBV, 9250BV	600600
370308	<b>250NBV-R3.5</b>	Negative cutter for Radius chamfer 3.5 mm	12	Cermet	R3.5-12	1251NBV, 9250NBV	600617
370309	<b>250SBV-C5</b>	Positive cutter for Straight chamfer 5 mm	4	Cermet	C5-4	1251HBV, 9250BV	600747
370310	<b>250SBV-R3.5</b>	Positive cutter for Radius chamfer 3.5 mm	8	Cermet	R3.5-8	1251BV, 1251HBV, 9250BV	600686

If you want to change the cutter to a different size, you will need to replace the guide roller. Please purchase them separately.

BEVELER