

## ONE POINT

### RATCHET IMPACT SERIES | FLAT HEAD SERIES

#### RATCHET IMPACT SERIES (PATENTED)

### Twice as fast as a standard air ratchet!

The impact mechanism is built into the air ratchet wrench, so that it can be tightened by the power of impact.

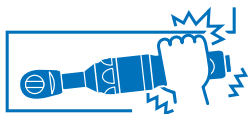
- It is safer because there is little backlash when tightening is completed.
- The rotation speed is more than twice as fast as that of a normal ratchet, which makes tightening and loosening fast and easy.
- The speed of tightening can be adjusted by the built-in air regulator on the top rear of the tool.



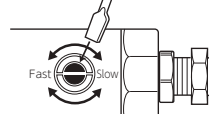
#### High speed



#### Low backlash



#### Adjustable tightening speed



#### FLAT HEAD SERIES

### Outstanding durability, sealed flat head!

Prevents from the seep of the ratchet housing against overload.

- No need for a plastic head cover to keep oil from splashing out.
- The reverse lever is easy to reach, allowing for one handed operation.

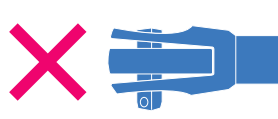
#### No oil splashes



#### Easy to switch, even in tight spaces



#### Longer life by preventing deformation



## RATCHEPACT

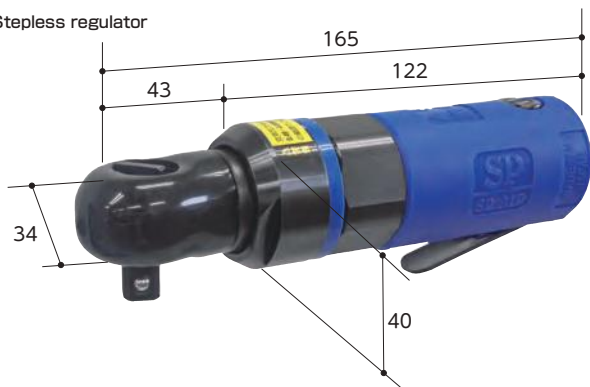
### Bolt Capacity 10mm

- Low backlash for safe working in tight spaces.
- Double speed for shorter working time.
- Compact body to fit in your hand.
- Easy to hold plastic grip.
- Built-in power regulator.

#### SP-7722A

3/8" Ball-Lock

F Stepless regulator



### Bolt Capacity 10mm

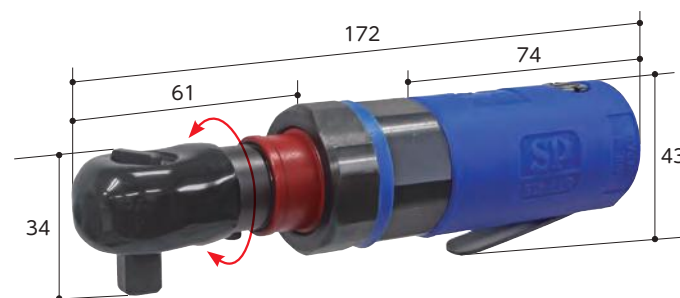
[ROTATIONAL HEAD]

- Rotating head (fixed at 90 degree each).
- Low backlash for safe working in tight spaces.
- Double speed for shorter working time.
- Urethane covered cushion grip.
- Built-in power regulator.

#### SP-7722RH

3/8" Ball-Lock

F Stepless regulator



| EDP    | Model No. | Sq. Drive (inch) | Hammer            | Torque Range (N/m) | Free Speed (min <sup>-1</sup> ) | Overall Length (mm) | Air Consumption (l/min) | Hose Coupling | Net Weight (kg) | JAN (4545695) |
|--------|-----------|------------------|-------------------|--------------------|---------------------------------|---------------------|-------------------------|---------------|-----------------|---------------|
| 370045 | SP-7722A  | 3/8"             | Single Dog clutch | 7~40               | 500                             | 165                 | 0.4                     | 1/4"NPT       | 0.6             | 001889        |
| 370048 | SP-7722RH | 3/8"             | Single Dog clutch | 35                 | 400                             | 172                 | 0.4                     | 1/4"NPT       | 0.6             | 003463        |

Air pressure: 0.62 MPa Air hose inner dia.: 9.5 mm Rear exhaust Air connector included

## RATCHEPACT

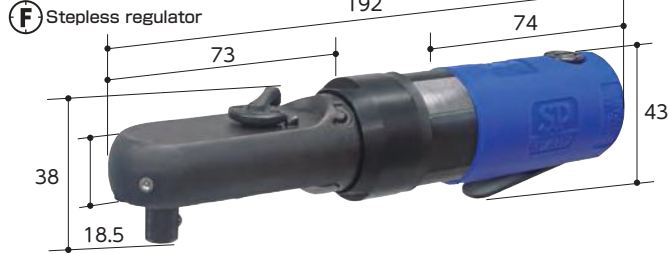
**Bolt Capacity 10mm**

[FLAT HEAD]

- Low profile flat head. ● No deforming, no splashing of oil. ● Switchable rotations at hand, even in small spaces. ● Low backlash. ● Double speed for shorter working time. ● Urethane covered cushion grip. ● 360 degree rotating rear exhaust.

### SP-7265RP

3/8" Ball-Lock



**Bolt Capacity 10mm**

- High power. ● Low backlash. ● Double speed for shorter working time. ● Switchable dial for easy operation with gloves. ● Urethane covered cushion grip. ● 360 degree rotating rear exhaust.

### SP-7730

3/8" Ball-Lock



**Bolt Capacity 10mm**

- High power. ● Low backlash. ● Double speed for shorter working time. ● Switchable dial for easy operation with gloves. ● Urethane covered cushion grip. ● 360 degree rotating rear exhaust.

### SP-7731

1/2" Ball-Lock



**Bolt Capacity 10mm**

- Low backlash for safe working in tight spaces. ● Double speed for shorter working time. ● Compact body to fit in your hand. ● Built-in power regulator.

### SP-1765

3/8" Ball-Lock



## RATCHEPACT HYBRID

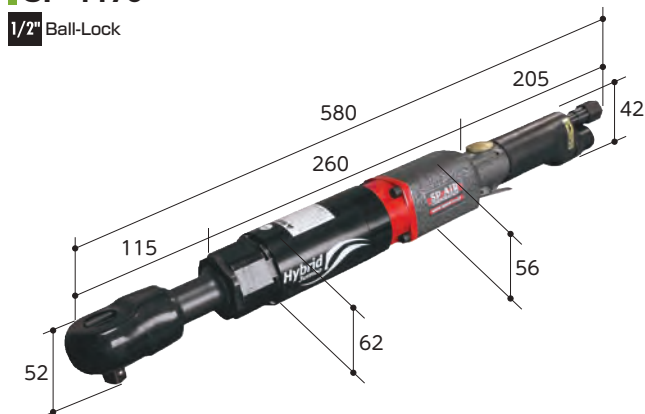
**Bolt Capacity 14mm**

[HYBRID]

- High power for final tightening. ● Low backlash. ● Long reach for use in deep and narrow spaces.

### SP-1170

1/2" Ball-Lock



### For tractor jaw replacement!

- No need for retightening, 350N·m (max.)
- Built-in pin type clutch hammer for high power.
- Long reach makes it easy to remove bolts from deep places.



| EDP    | Model No. | Sq. Drive (inch) | Hammer            | Torque Range (N·m) | Free Speed (min <sup>-1</sup> ) | Overall Length (mm) | Air Consumption (ml/min) | Hose Coupling | Net Weight (kg) | JAN (4545695) |
|--------|-----------|------------------|-------------------|--------------------|---------------------------------|---------------------|--------------------------|---------------|-----------------|---------------|
| 370052 | SP-7265RP | 3/8"             | Single Dog clutch | 35                 | 400                             | 192                 | 0.4                      | 1/4"NPT       | 0.7             | 003470        |
| 370051 | SP-7730   | 3/8"             | Single Dog clutch | 13~90              | 450                             | 295                 | 0.74                     | 1/4"NPT       | 1.4             | 002169        |
| 370049 | SP-7731   | 1/2"             | Single Dog clutch | 13~90              | 450                             | 295                 | 0.74                     | 1/4"NPT       | 1.4             | 002176        |
| 370189 | SP-1765   | 3/8"             | Single Dog clutch | 10~41              | 500                             | 176                 | 0.4                      | 1/4"NPT       | 0.6             | 002015        |
| 370057 | SP-1170   | 1/2"             | Pin clutch        | 50~300             | 210                             | 580                 | 0.72                     | 1/4"NPT       | 4.15            | 001414        |

Air pressure: 0.62 MPa Air hose inner dia.: 9.5 mm Rear exhaust Air connector included

## RATCHET WRENCH

**Bolt Capacity 10mm [FLAT HEAD]**

- 1/4" Bit. ● Low profile flat head. ● No deforming, no splashing of oil. ● Switchable rotations at hand, even in small spaces. ● Urethane covered cushion grip. ● 360 degree rotating rear exhaust.

### SP-7250H

1/4" Bit chuck retainer



Applicable bits  
● B33, A4 series

**Bolt Capacity 10mm [FLAT HEAD]**

- Low profile flat head. ● No deforming, no splashing of oil. ● Switchable rotations at hand, even in small spaces. ● Ball locking. ● Urethane covered cushion grip. ● Built-in power regulator. ● 360 degree rotating rear exhaust.

### SP-7265

3/8" Ball-Lock

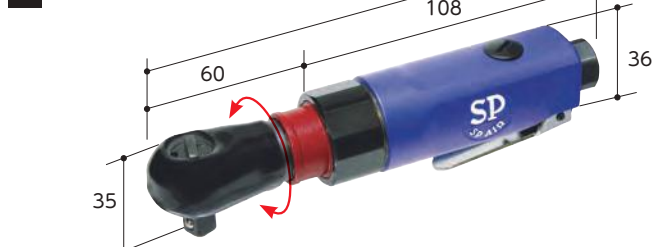


**Bolt Capacity 10mm [ROTATIONAL HEAD]**

- Rotating head (fixed at 90 degree each) . ● For working in tight spaces. ● Super compact size to fit in your hand.

### SP-1772

3/8" Ball-Lock

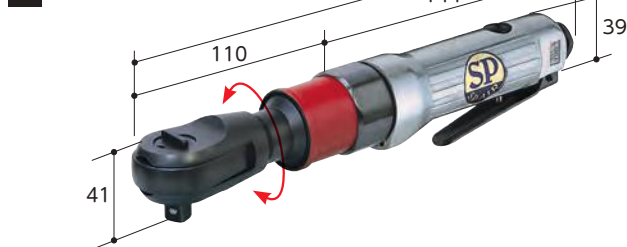


**Bolt Capacity 10mm [ROTATIONAL HEAD]**

- Rotating head (fixed at 90 degree each) . ● For working in tight spaces.

### SP-1133RH

3/8" Ball-Lock



**Bolt Capacity 10mm [SEALED HEAD]**

- Improved durability of ratchet head ● Switchable rotations at hand, even in small spaces. ● Ball locking. ● Urethane covered cushion grip. ● Built-in power regulator. ● 360 degree rotating rear exhaust.

### SP-7765

3/8" Ball-Lock



**Bolt Capacity 12mm [FLAT HEAD]**

- High power. ● Low profile flat head. ● No deforming, no splashing of oil. ● Switchable rotations at hand, even in small spaces. ● Ball locking. ● Urethane covered cushion grip. ● 360 degree rotating side exhaust.

### SP-7787

1/2" Ball-Lock

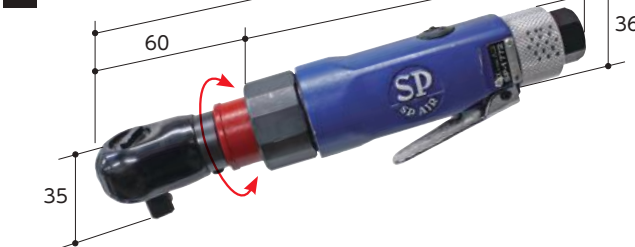


**Bolt Capacity 10mm [W/ SILENCER] [ROTATIONAL HEAD]**

- Swivel silencer. ● 360 degree rotating exhaust. ● Rotating head (fixed at 90 degree each) . ● For working in tight spaces.

### SP-1772N

3/8" Ball-Lock

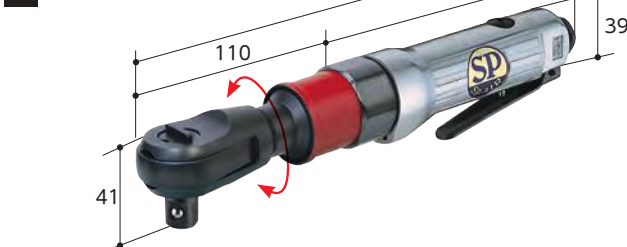


**Bolt Capacity 10mm [ROTATIONAL HEAD]**

- Rotating head (fixed at 90 degree each) . ● For working in tight spaces.

### SP-1133RH-2

1/2" Ball-Lock



| EDP    | Model No.   | Sq. Drive (inch) | Torque Range (N·m) | Free Speed (min <sup>-1</sup> ) | Overall Length (mm) | Air Consumption (m <sup>3</sup> /min) | Hose Coupling | Net Weight (kg) | JAN (4545695) |
|--------|-------------|------------------|--------------------|---------------------------------|---------------------|---------------------------------------|---------------|-----------------|---------------|
| 370063 | SP-7250H    | 1/4" HEX         | 20                 | 290                             | 203                 | 0.2                                   | 1/4" NPT      | 0.7             | 003685        |
| 370059 | SP-7765     | 3/8"             | 20                 | 250                             | 205                 | 0.2                                   | 1/4" NPT      | 0.64            | 000035        |
| 370061 | SP-7265     | 3/8"             | 20                 | 400                             | 203                 | 0.4                                   | 1/4" NPT      | 0.7             | 003487        |
| 370062 | SP-7787     | 1/2"             | 30                 | 200                             | 315                 | 0.7                                   | 1/4" NPT      | 1.5             | 003494        |
| 370047 | SP-1772     | 3/8"             | 20                 | 220                             | 168                 | 0.2                                   | 1/4" NPT      | 0.5             | 001438        |
| 370054 | SP-1772N    | 3/8"             | 20                 | 200                             | 188                 | 0.2                                   | 1/4" NPT      | 0.54            | 002565        |
| 370056 | SP-1133RH   | 3/8"             | 30                 | 160                             | 254                 | 0.2                                   | 1/4" NPT      | 1.2             | 001452        |
| 370050 | SP-1133RH-2 | 1/2"             | 30                 | 160                             | 254                 | 0.2                                   | 1/4" NPT      | 1.2             | 001469        |

Air pressure: 0.62 MPa Air hose inner dia.: 9.5 mm Rear exhaust Side exhaust (SP-7787) Air connector included

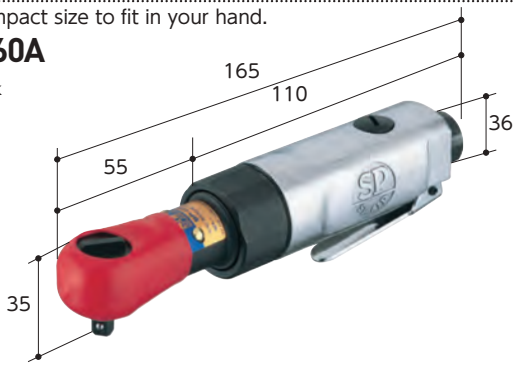
## RATCHET WRENCH

**Bolt Capacity 10mm** [MINI]

● Super compact size to fit in your hand.

### SP-1760A

1/4" Ball-Lock

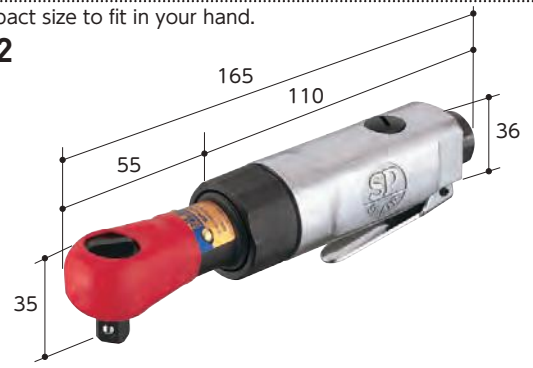


**Bolt Capacity 10mm** [MINI]

● Super compact size to fit in your hand.

### SP-1762

3/8" Ball-Lock

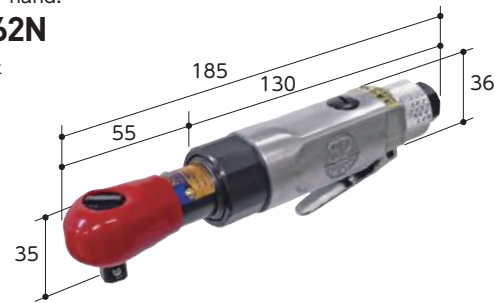


**Bolt Capacity 10mm** [MINI] [W/ SILENCER]

● Swivel silencer. ● 360 degree rotating exhaust. ● Super compact size to fit in your hand.

### SP-1762N

3/8" Ball-Lock

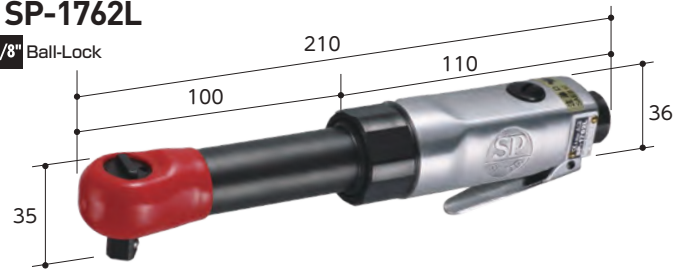


**Bolt Capacity 10mm** [MINI] [LONG TYPE]

● For working in difficult to reach places such as the engine compartment of a car, or working in a deep space.

### SP-1762L

3/8" Ball-Lock



**Bolt Capacity 10mm**

● For working in tight spaces.

### SP-1133

3/8" Ball-Lock

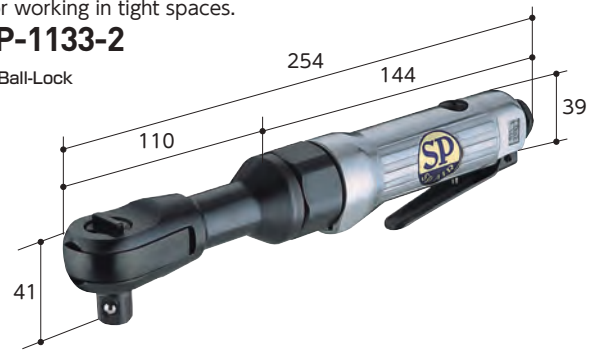


**Bolt Capacity 10mm**

● For working in tight spaces.

### SP-1133-2

1/2" Ball-Lock



## ONE POINT

## ROTATIONAL HEAD RATCHET WRENCH SERIES

### ROTATIONAL HEAD RATCHET WRENCH SERIES

**Rotational head for tight spaces!** ● Adjustable head locks at every 90 degree interval.



| EDP    | Model No. | Sq. Drive (inch) | Torque Range (N·m) | Free Speed (min <sup>-1</sup> ) | Overall Length (mm) | Air Consumption (m <sup>3</sup> /min) | Hose Coupling | Net Weight (kg) | JAN (4545695) |
|--------|-----------|------------------|--------------------|---------------------------------|---------------------|---------------------------------------|---------------|-----------------|---------------|
| 370060 | SP-1760A  | 1/4"             | 20                 | 310                             | 165                 | 0.2                                   | 1/4"NPT       | 0.5             | 000028        |
| 370046 | SP-1762   | 3/8"             | 20                 | 310                             | 165                 | 0.2                                   | 1/4"NPT       | 0.5             | 000011        |
| 370058 | SP-1762N  | 3/8"             | 20                 | 200                             | 185                 | 0.2                                   | 1/4"NPT       | 0.54            | 002558        |
| 370173 | SP-1762L  | 3/8"             | 20                 | 310                             | 210                 | 0.2                                   | 1/4"NPT       | 0.6             | 003852        |
| 370055 | SP-1133   | 3/8"             | 30                 | 160                             | 254                 | 0.2                                   | 1/4"NPT       | 1.2             | 000042        |
| 370053 | SP-1133-2 | 1/2"             | 30                 | 160                             | 254                 | 0.2                                   | 1/4"NPT       | 1.2             | 000059        |

Air pressure: 0.62 MPa Air hose inner dia.: 9.5 mm Rear exhaust Air connector included

FASTENING

DRILLING

SANDING

GRINDING

CUTTING

HAMMERING

BEVELER